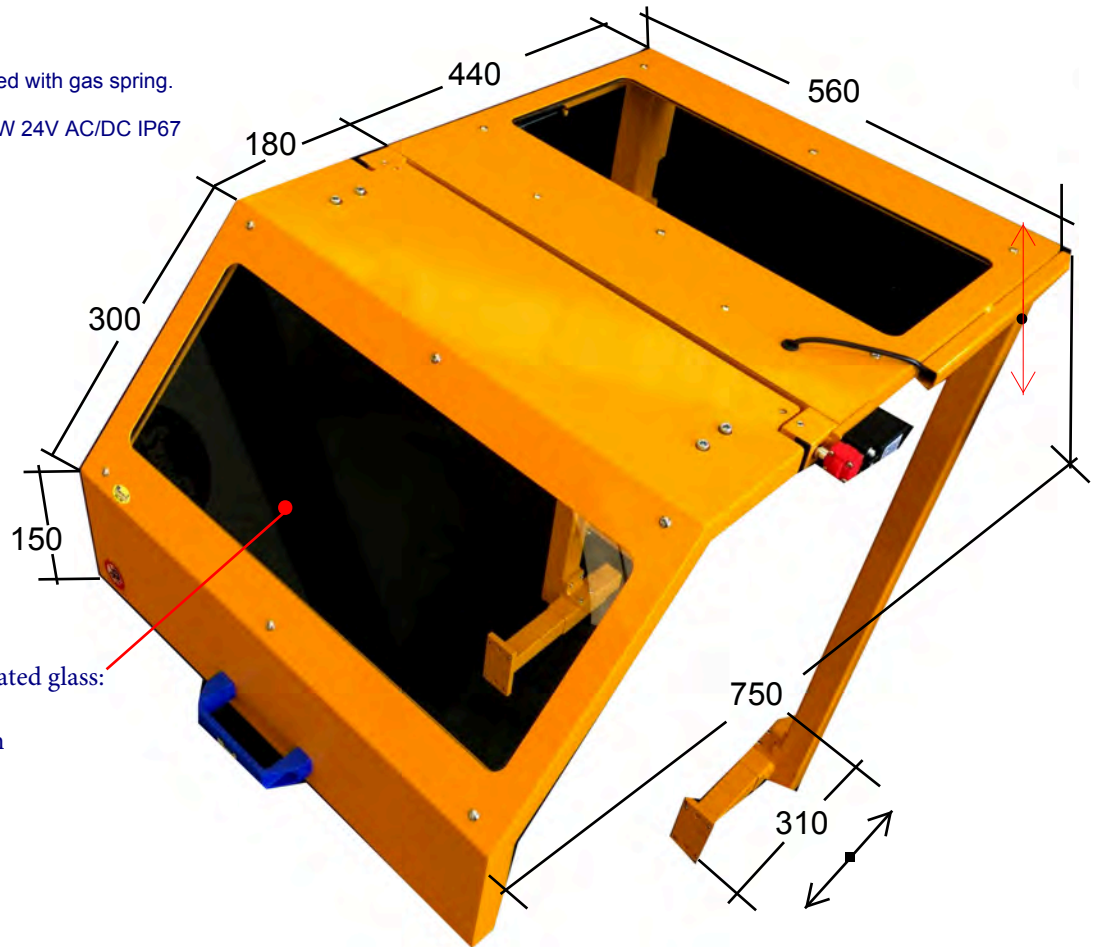


Protezione per piccoli torni Guard for Small Lathe

mod.Minor Fix

- **Safety Guard for:**
 Small lathes and special applications.
 This type of guard can be easily operated with gas spring.
- It is supplied with a LED working light 5W 24V AC/DC IP67
- Microswitch
- Column for fixing on lathe h1040 (adjustable height 500mm)
- N°2 Adjustable brackets



Windows in Laminated glass:
 2+2mm/3+3mm or
 polycarbonate 4mm

