

# EMERGENCY BOXES

## Box Bassa tensione 3HP-MK

Adatto per motori fino a 3HP ( 2,25kW ) ( **5,5A** ) trifase 400 volt e 1,5HP ( 1,12kW ) monofase 230 volt

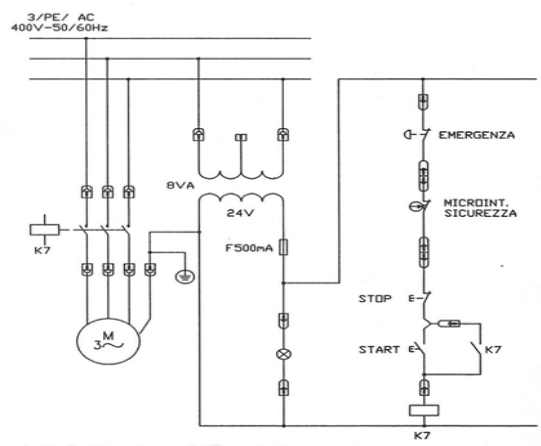
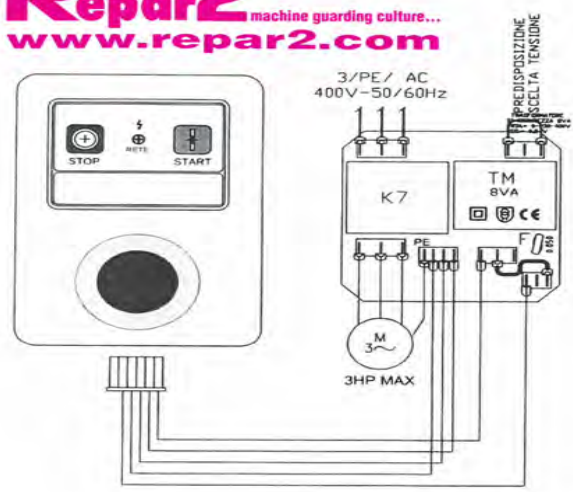
**Funzioni:** avviamento per motori trifase / monofase

**Start/Stop :** controllato da pulsanti a membrana, completa di pulsante di emergenza con chiave di sicurezza .

**Caratteristiche :** scatola impermeabile con staffe di fissaggio esterni , fusibile, spia luminosa presenza rete. Funzioni di comando in bassa tensione ( 24V ), gestione di microinterruttori di sicurezza installati sulla macchina .

**Dimensioni :** 170 x 118 x H82 mm

TL / 3HP / PIN1V



**Utilization categories**  
 Alternate current: AC15 (50...60 Hz)  
 Ue (V) 230  
 Ie (A) 3  
 Direct current: DC13 (6 operations/minute)  
 Ue (V) 24  
 Ie (A) 6

**Markings, quality marks and certificates:**



**Complying with the requirements requested by:**  
 Low Voltage Directive 2006/95/EC,  
 Machinery Directive 2006/42/EC,  
 Electromagnetic Compatibility 2004/108/EC



**Livello di affidabilità di sicurezza:**

B10d = 20.000.000 cicli contattore con carico meccanico secondo EN / ISO 13849-1

B10d = 1369863 cicli contattore con carico nominale secondo EN / ISO 13849-1

**Durata meccanica :** 15 Mcicli

**Funzionamento:** 3600 cyc/h at <= 60 °C

**Tempo di operatività:** 4...19 ms apertura  
 12...22 ms chiusura

Codice : 14BT-BOX 3HP-MK



Via Ambrogio Colombo, 176 - 21055 Gorla Minore (VA) Italy  
 Tel. +39 0331 465727 Fax: +39 0331 465728  
 www.repar2.com info@repar2.com  
 Exp.Dept: exportoffice@repar2.com

# EMERGENCY BOXES

## Low Voltage Box 3HP-MK

**Suitable** for motors up to 3HP (2,25kW) (**5,5A**) 400 volt triphase and 1,5HP (1,12kW) 230 volt monophase

**Functions:** Triphase/monophase motor start/stop controlled by membrane push button switches or emergency push button with key.

**Features:** Waterproof box with external fixing brackets, spare fuse inside box, warning light. Low tension (24V) command functions, management of safety microswitches installed on the machine.

**Dimensions:** 170 x 118 x H82 mm  
TL/3HP/PIN1V



### Safety reliability level:

B10d = 20000000 cycles contactor with mechanical load conforming to EN/ISO 13849-1

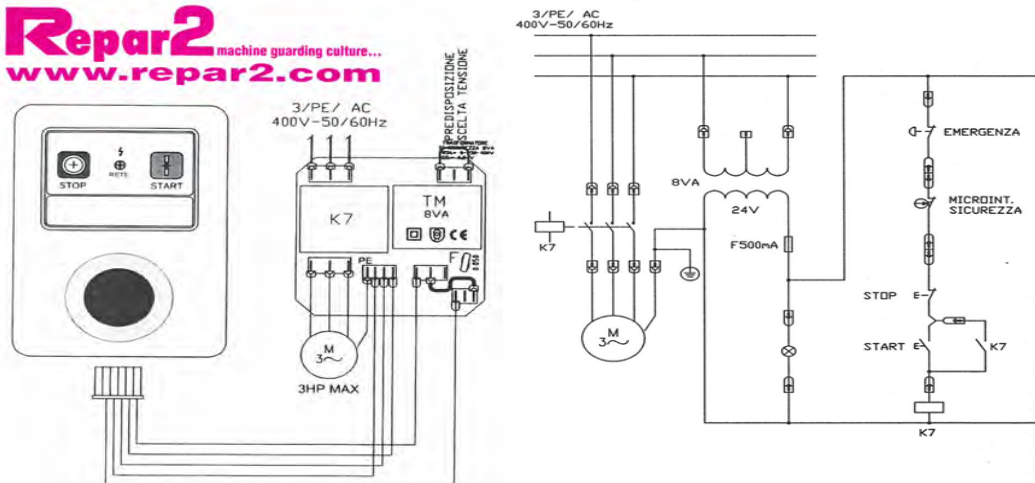
B10d = 1369863 cycles contactor with nominal load conforming to EN/ISO 13849-1

**Mechanical durability:** 15 Mcycles

**Operating rate:** 3600 cyc/h at  $\leq 60^\circ\text{C}$

**Operating time:** 4...19 ms opening 12...22 ms closing

**Repar2** machine guarding culture...  
[www.repar2.com](http://www.repar2.com)



Alternate current: AC15 (50...60 Hz)  
 Ue (V) 230  
 Ie (A) 3  
 Direct current: DC13 (6 operations/minute)  
 Ue (V) 24  
 Ie (A) 6

Markings, quality marks and certificates:



Approval UL: E131787

Complying with the requirements requested by:  
 Low Voltage Directive 2006/95/EC,  
 Machinery Directive 2006/42/EC,  
 Electromagnetic Compatibility 2004/108/EC

## Code : I4BT-BOX 3HP-MK

# Repar2

MACHINE GUARDS

Via Ambrogio Colombo, 176 - 21055 Gorla Minore (VA)  
 Italy Tel. +39 0331 465727 Fax: +39 0331 465728  
[www.repar2.com](http://www.repar2.com) [info@repar2.com](mailto:info@repar2.com)  
 Exp.Dept: [exportoffice@repar2.com](mailto:exportoffice@repar2.com)

# EMERGENCY BOXES

## Box Bassa Tensione 10 HP-MK

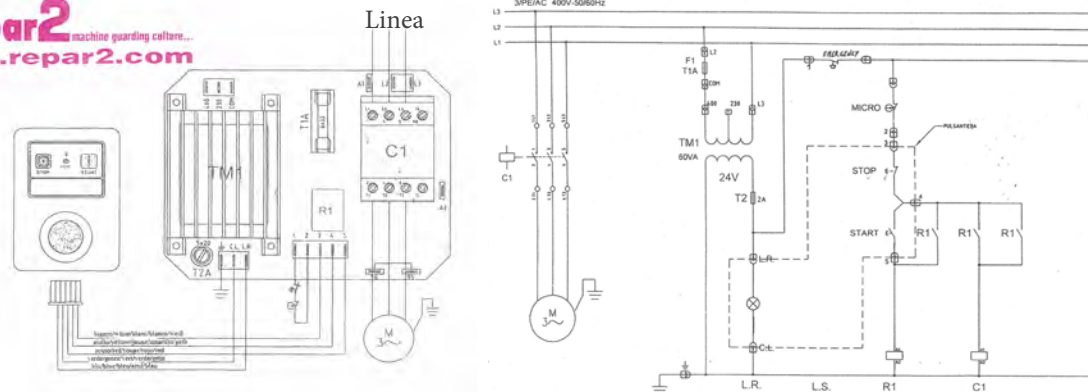
Adatto per motori fino 10HP (7,5kW) (**16,5A**) 400 volt trifase

**Funzioni:** avviamento per motori trifase/monofase, start/stop controllato da pulsanti a membrana, completa di pulsante d'emergenza con chiave di sicurezza.

**Caratteristiche :** pulsantiera separata in scatola impermeabile completa di staffe di fissaggio. Contenitore separato in plastica completo di trasformatore e teleruttori per trasformare la corrente dei comandi in bassa tensione (24V), predisposta per la gestione dei microinterruttori installati

**Dimensioni :** 170 x 118 x H82 mm (pulsantiera) 200 x 150 x H150 mm (contenitore componenti elettrici)  
TL/10HP/PST1V

Repar2 machine guarding culture...  
www.repar2.com



#### Utilization categories

Alternate current: AC15 (50...60 Hz)  
 Ue (V) 230  
 Ie (A) 3  
 Direct current: DC13 (6 operations/minute)  
 Ue (V) 24  
 Ie (A) 6

#### Markings, quality marks and certificates:



Approval UL: E131787

#### Complying with the requirements requested by:

Low Voltage Directive 2006/95/EC,  
 Machinery Directive 2006/42/EC,  
 Electromagnetic Compatibility 2004/108/EC



#### Livello di affidabilità di sicurezza

B10d = 20000000 cicli contattore con micro secondo  
 EN/ISO 13849-1

B10d = 1369863 cicli contattore con carico nominale  
 secondo EN/ISO 13849-1

**Durata meccanica:** 15 Mcicli

**Funzionamento:** 3600 cyc/h at  $\leq 60^\circ\text{C}$

**Tempo di operatività:** 4.1119 ms opening 12.1122 ms chiusura

# Code : 14BT-BOX 10 HP-MK

# Repar2

MACHINE GUARDS

Via Ambrogio Colombo, 176 - 21055 Gorla Minore (VA) Italy  
 Tel. +39 0331 465727 Fax: +39 0331 465728  
 www.repar2.com info@repar2.com  
 Exp.Dept: exportoffice@repar2.com

# EMERGENCY BOXES

## Low Voltage Box 10 HP-MK

**Suitable** for motors up to 10HP (7,5kW) (**16,5A**) 400 volt triphase

**Functions:** Triphase motor start/stop

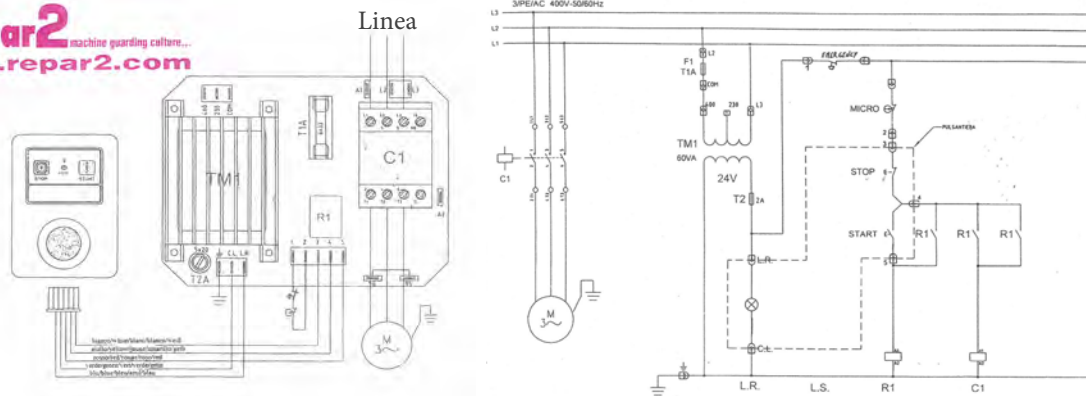
with overload cut-out and automatic reset by push button with key switches or emergency **Features** : Separate push buttons box, spare fuse inside box, warning light. Low tension (24V) command functions, management of safety microswitches installed on the machine button

**Dimensions** : 170 x 118 x H82 mm (push buttons panel) 200 x 150 x H150 mm (electric box)

TL/10HP/PST1V



**Repar2** machine guarding culture...  
[www.repar2.com](http://www.repar2.com)



### Utilization categories

Alternate current: AC15 (50...60 Hz)

Ue (V) 230

Ie (A) 3

Direct current: DC13 (6 operations/minute)

Ue (V) 24

Ie (A) 6

### Markings, quality marks and certificates:



Approval UL: E131787

### Complying with the requirements requested by:

Low Voltage Directive 2006/95/EC,

Machinery Directive 2006/42/EC,

Electromagnetic Compatibility 2004/108/EC

### Safety reliability level:

B10d = 20000000 cycles contactor with mechanical load conforming to EN/ISO 13849-1

B10d = 1369863 cycles contactor with nominal load conforming to EN/ISO 13849-1

**Mechanical durability:**15 Mcycles

**Operating rate:**3600 cyc/h at <= 60 °B

**Operating time:**4.1119 ms opening 12.1122 ms closing

# Code : I4BT-BOX 10 HP-MK

# Repar2

MACHINE GUARDS

Via Ambrogio Colombo, 176 - 21055 Gorla Minore (VA) Italy

Tel. +39 0331 465727 Fax: +39 0331 465728

[www.repar2.com](http://www.repar2.com) [info@repar2.com](mailto:info@repar2.com)

Exp.Dept: [exportoffice@repar2.com](mailto:exportoffice@repar2.com)

# EMERGENCY BOXES

## Box Bassa Tensione 24 HP-MK

Adatto per motori fino a 24HP 18Kw 38A trifase 400 volt

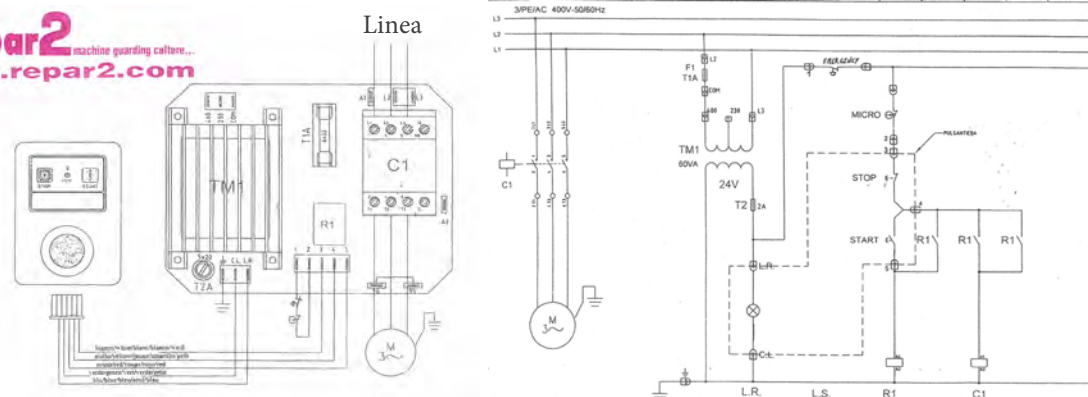
**Funzioni:** avviamento per motori trifase/monofase, start/stop controllato da pulsanti a membrana, completa di pulsante d'emergenza con chiave di sicurezza.

**Caratteristiche :** pulsantiera separata in scatola impermeabile completa di staffe di fissaggio. Contenitore separato in plastica completo di trasformatore e teleruttori per trasformare la corrente dei comandi in bassa tensione (24V), predisposta per la gestione dei microinterruttori installati

**Dimensioni :** 170 x 118 x H82 mm (pulsantiera) 200 x 150 x H150 mm (contenitore componenti elettrici)

TL/10HP/PST1V

**Repar2** machine guarding culture...  
www.repar2.com



### Utilization categories

Alternate current: AC15 (50...60 Hz)

Ue (V) 230

Ie (A) 3

Direct current: DC13 (6 operations/minute)

Ue (V) 24

Ie (A) 6

### Markings, quality marks and certificates:



Approval UL:

E131787

### Complying with the requirements requested by:

Low Voltage Directive 2006/95/EC,

Machinery Directive 2006/42/EC,

Electromagnetic Compatibility 2004/108/EC



### Livello di affidabilità di sicurezza

B10d = 20000000 cicli contattore con micro secondo EN/ISO 13849-1

B10d = 1369863 cicli contattore con carico nominale secondo EN/ISO 13849-1

**Durata meccanica:** 15 Mcicli

**Funzionamento:** 3600 cyc/h at  $\leq 60^\circ\text{C}$

**Tempo di operatività:** 4.1119 ms opening 12.1122 ms chiusura

# Code : I4BT-BOX24HP-MK

# Repar2

MACHINE GUARDS

Via Ambrogio Colombo, 176 - 21055 Gorla Minore (VA) Italy

Tel. +39 0331 465727 Fax: +39 0331 465728

www.repar2.com info@repar2.com

Exp.Dept: exportoffice@repar2.com

# EMERGENCY BOXES

## Low Voltage Box 24HP-MK

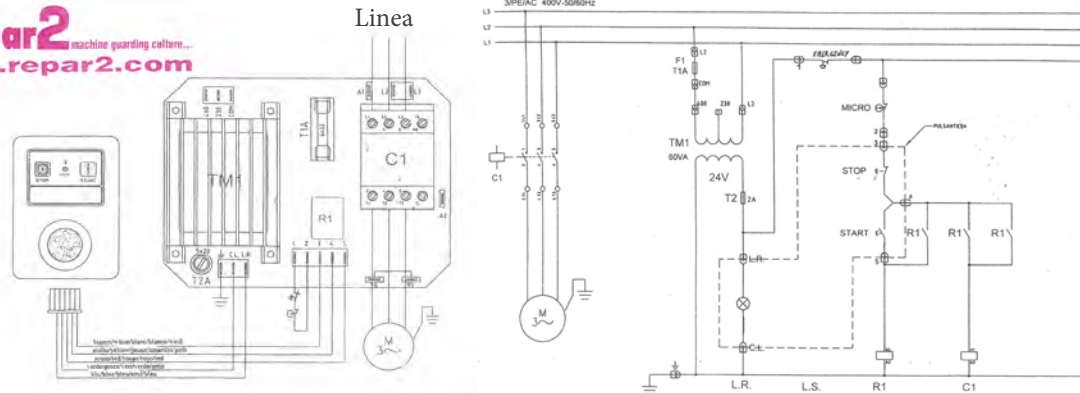
**Suitable** for motors up to 24HP 18Kw 38A 400 volt triphase

**Functions:** Triphase motor start/stop with overload cut-out and automatic reset by push button switches or emergency

**Features :** Separate push buttons box, spare fuse inside box, warning light. Low tension (24V) command functions, management of safety microswitches installed on the machine button

**Dimensions :** 170 x 118 x H82 mm (push buttons panel)  
200 x 150 x H150 mm (electric box)  
TL/10HP/PST1V

**Repar2** machine guarding culture...  
[www.repar2.com](http://www.repar2.com)



#### Utilization categories

Alternate current: AC15 (50...60 Hz)  
Ue (V) 230  
Ie (A) 3  
Direct current: DC13 (6 operations/minute)  
Ue (V) 24  
Ie (A) 6

#### Markings, quality marks and certificates:



Approval UL: E131787

#### Complying with the requirements requested by:

Low Voltage Directive 2006/95/EC,  
Machinery Directive 2006/42/EC,  
Electromagnetic Compatibility 2004/108/EC



#### Safety reliability level:

B10d = 20000000 cycles contactor with mechanical load conforming to EN/ISO 13849-1

B10d = 1369863 cycles contactor with nominal load conforming to EN/ISO 13849-1

**Mechanical durability:** 15 Mcycles

**Operating rate:** 3600 cyc/h at  $\leq 60^\circ\text{B}$

**Operating time:** 4.1119 ms opening 12.1122 ms closing

## Code : I4BT-BOX24HP-MK

# Repar2

MACHINE GUARDS

Via Ambrogio Colombo, 176 - 21055 Gorla Minore (VA) Italy  
Tel. +39 0331 465727 Fax: +39 0331 465728  
[www.repar2.com](http://www.repar2.com) [info@repar2.com](mailto:info@repar2.com)  
Exp.Dept: [exportoffice@repar2.com](mailto:exportoffice@repar2.com)