

# Lathe guard 1PED

## Product description

Safety bar for machine tools, sturdy and versatile device to be used as an emergency foot-activated system.

## Features:

Foot activation.

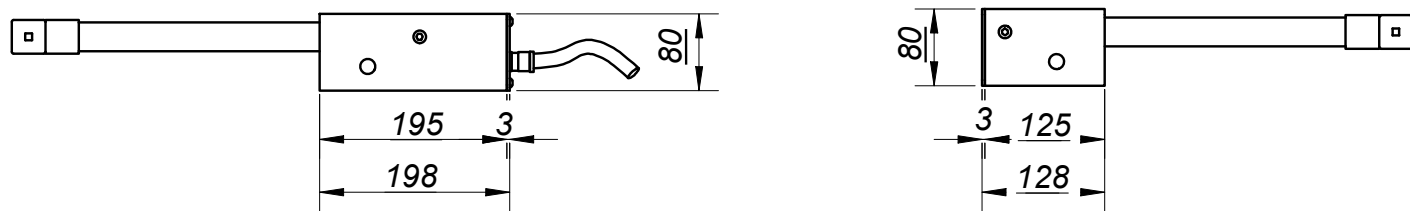
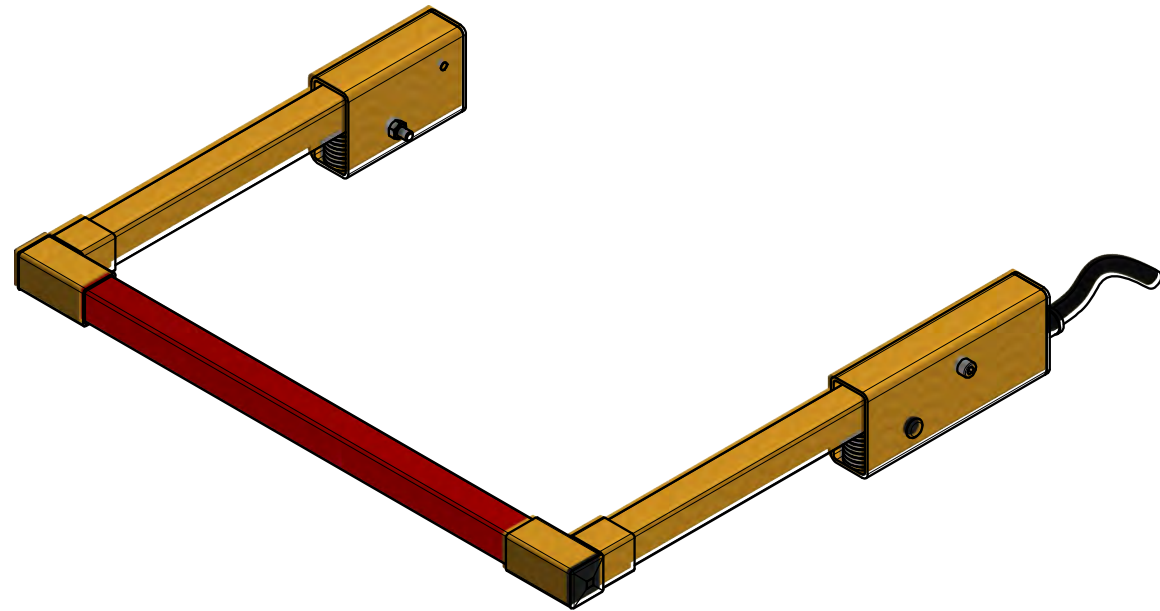
Available with customized width.

Multi-functional item, particularly strong and equipped with different adjustment possibilities, suitable for use on different types of machines

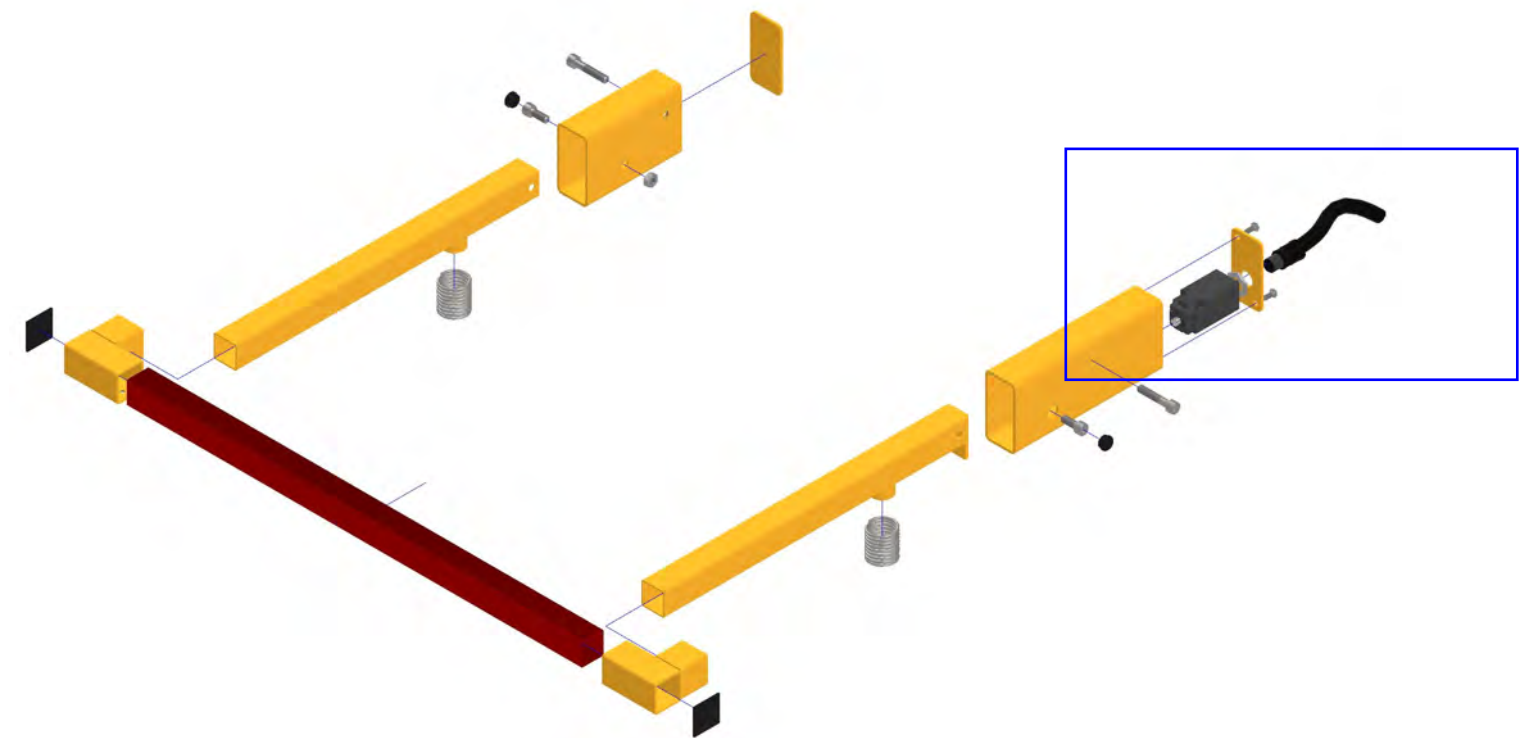
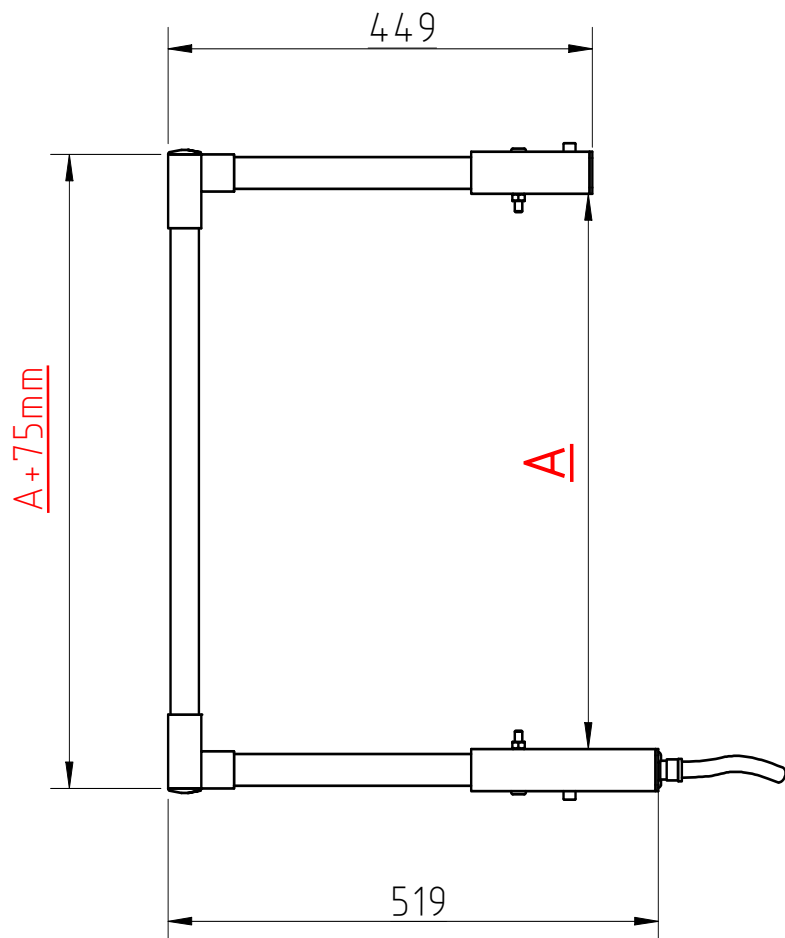
“Emergency” system (in case a dangerous situation occurs)

Equipped with a microswitch with

2NC and 1NO contacts



A =



DDISSEGGNATO DDAA: CARNOVALI M.O..		VERIFICATO DA: MARCO CARNOVALI	STATO: ORDINE	11-05-2023	
DESTINATARIO:		COD. PROGETTO:		D. FOGLIO SCALA: A3   : 2	
DESCRIZIONE: 1PED			FOLIO: 1/1		